

# SAC1128

## GaAs MMIC Driver Amplifier Module 26~40GHz 25dBm

Rev 2.1

### Features

- Frequency: 26~40GHz
- Gain: 24dB
- OP<sub>-1dB</sub>: 23dBm
- Supply Voltage: +8~+15V

### Typical Applications

- Microwave radio
- Telecommunication
- Test instrumentation
- VSAT

### General Description

SAC1128 is a driver amplifier module with a typical small signal gain of 25dB and a nominal OP<sub>-1dB</sub> of +23dBm across the frequency range of 26 to 40GHz

### Picture



### Electrical Performance (T<sub>A</sub>=25°C, V<sub>D</sub>=8V, Z<sub>O</sub>=50Ω)

Parameter	Min.	Typ.	Max.	Units
Frequency Range	26~40			GHz
Gain	20	25	34	dB
Noise Figure	—	5.5	—	dB
Output Power for 1 dB Compression (OP <sub>-1dB</sub> )	20	23	—	dBm
Input VSWR	—	1.7	2.5	:1
Output VSWR	—	1.4	2.0	:1
Reverse Isolation	—	-55	—	dB
Supply Voltage	8	—	15	V
Supply Current	—	0.35	—	A

### Mechanical Specifications

Parameter	
Input/Output	K-F/K-F
Bias	Pin
Case Material	4047 Aluminum alloy
Weight	45g

#### SuperApex, LLC

1580 S. Milwaukee Ave. Suite 405, Libertyville, IL 60048, USA  
Tel: 1-847-505-8319, 1-847-573-9866  
E-mail: sales@superapexco.com  
Website: www.superapexco.com

# SAC1128

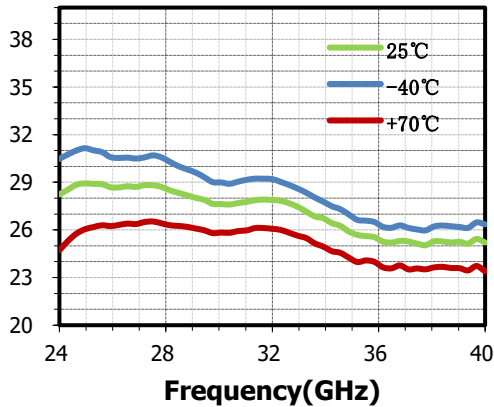


GaAs MMIC Driver Amplifier Module  
26~40GHz 25dBm

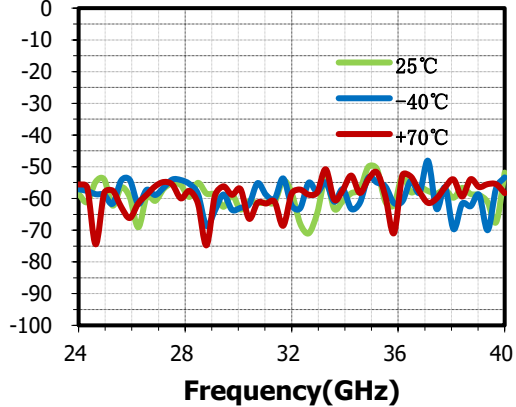
Rev 2.1

## Typical Performance Curve

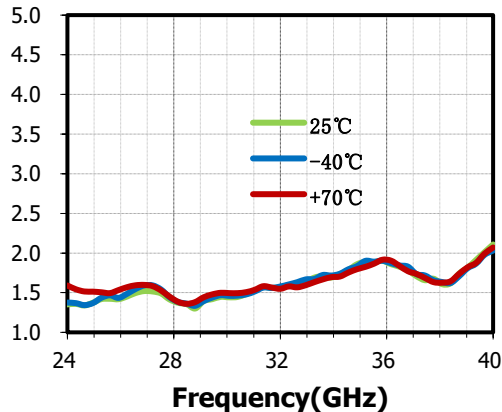
Small Signal Gain(dB) vs.Temperature



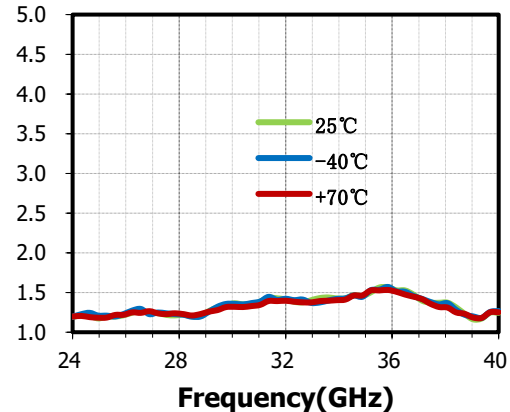
Reverse Isolation(dB) vs.Temperature



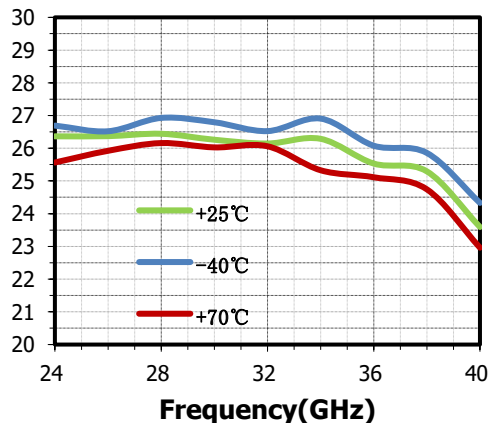
Input VSWR(:1) vs.Temperature



Output VSWR(:1) vs.Temperature



OP<sub>-1</sub>dB(dBm) vs.Temperature



### SuperApex, LLC

1580 S. Milwaukee Ave. Suite 405, Libertyville, IL 60048, USA  
Tel: 1-847-505-8319, 1-847-573-9866  
E-mail: sales@superapexco.com  
Website: www.superapexco.com

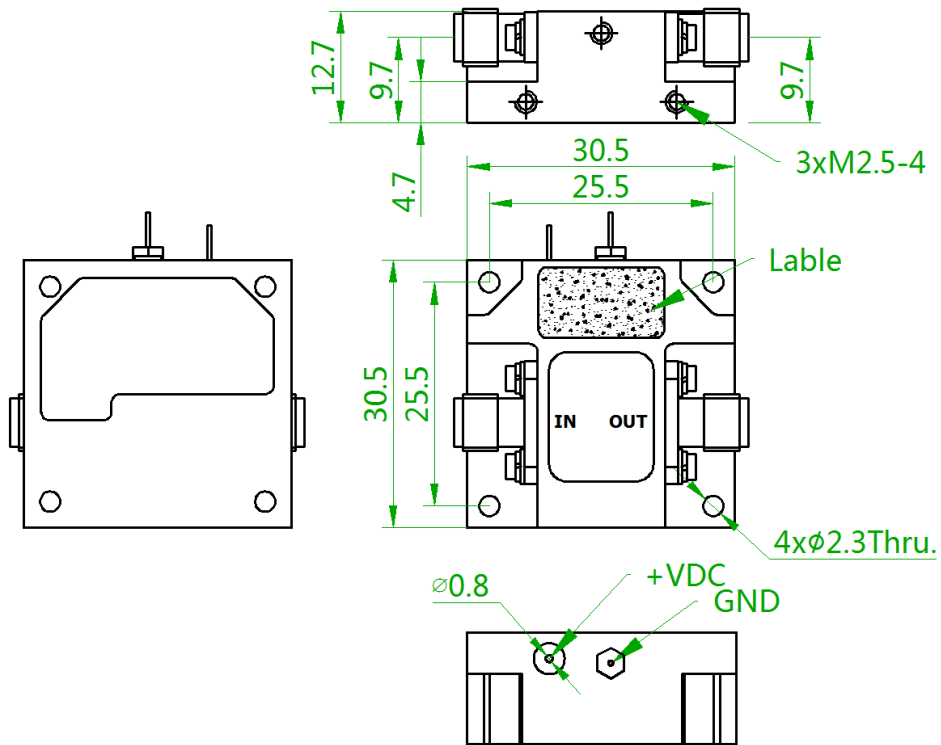
# SAC1128

GaAs MMIC Driver Amplifier Module  
26~40GHz 25dBm

Rev 2.1

## Mechanical Outline:

All dimensions are in millimeters



### Note:

1. Two RF Connectors are field-replaceable