

# SAC3801AQ4



GaAs MMIC Power Divider  
2~20GHz

Rev 2.6

## Features

- Frequency: 2~20GHz
- Insertion Loss: 1dB(Typ.)
- Input/Output VSWR: 1.4: 1
- Size: 4mm×4mm×1.2mm
- RoHS Compliant

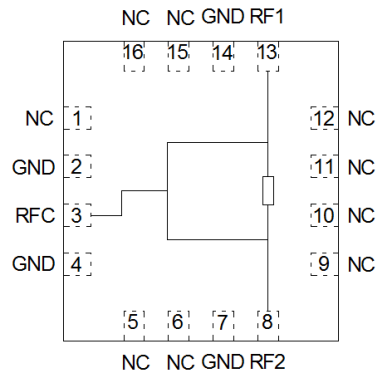
## General Description

SAC3801AQ4 is a GaAs MMIC 2-way 0° power divider in leadless 4x4mm surface mount package, which operates between 2GHz~20GHz with 1dB(Typ.) insertion loss and VSWR 1.4:1.

## Typical Applications

- EW
- Cellular Infrastructure
- SATCOM
- Test Equipment and Sensors

## Functional Diagram



## Electrical Performance ( $T_A=25^\circ\text{C}, Z_0=50\Omega$ )

Parameter	Symbol	Condition's	Min.	Typ.	Max.	Units
Frequency Range	f	$Z_{in}=Z_{out}=50\Omega$ $T_A=+25^\circ\text{C}$	2	—	20	GHz
Insertion Loss	IL		—	-1	-1.5	dB
Amplitude Unbalance	IP		—	$\pm 0.25$	—	dB
RF1 VSWR	VSWR		—	1.4	1.8	:1
RF2 VSWR			—	1.4	1.8	:1
RFC VSWR			—	1.4	1.8	:1
Isolation	ISO		-12	-20	—	dB

## Absolute Maximum Ratings

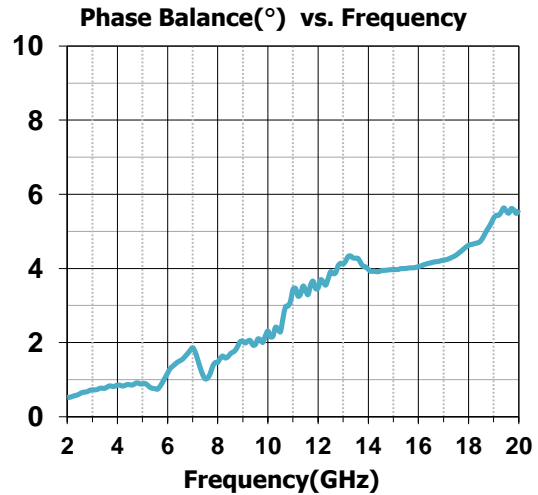
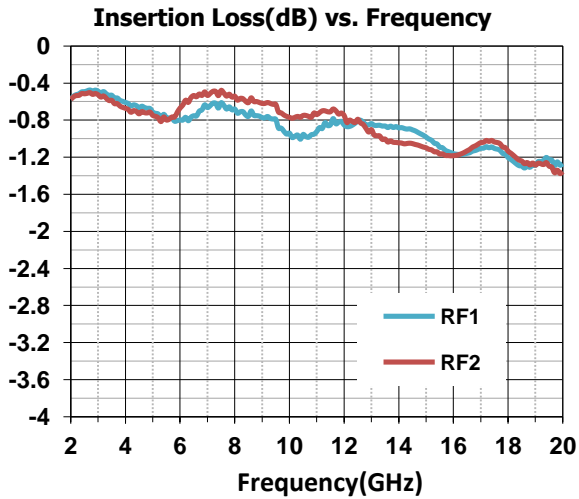
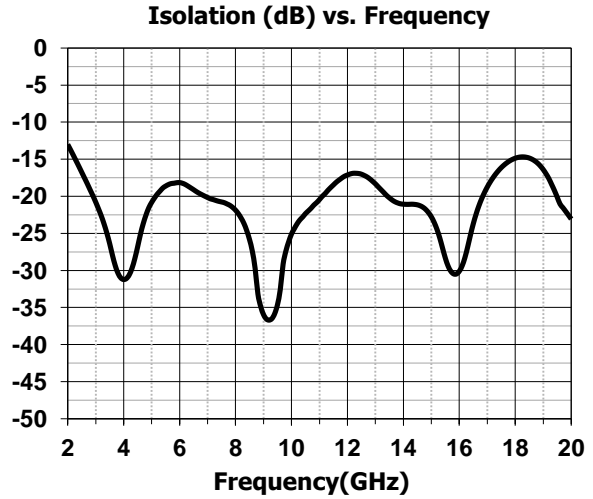
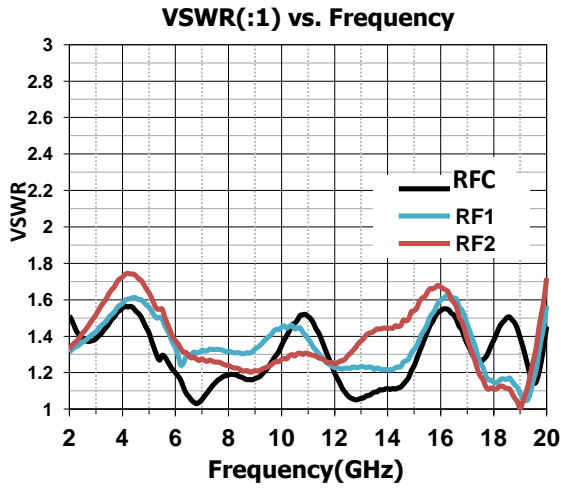
Maximum Input Power	+30dBm	Operating Temperature	-55°C ~ +85°C
Channel Temperature	150°C	Storage Temperature	-65°C ~ +150°C



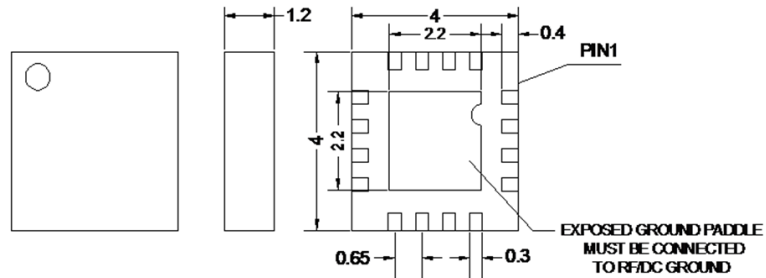
## SuperApex Corporation

Address: 111 Barclay Boulevard, Ste. 211, Lincolnshire, IL 60069, USA  
 Tel: 1-847-573-9866, 1-847-505-8319  
 E-mail: sales@superapexco.com  
 Website: www.superapexco.com

## Typical Performance Curve



## Outline Drawing (all dimensions in mm)



### Attention:

1. The moisture resistant grade of products is 2A, the storage environment  $\leq 30^{\circ}$  C/60% RH, The surrounding workshop Life is 4 weeks.
2. After un-packing, It is necessary to bake the parts for 6 hours in  $125 \pm 5$  degree environment before soldering.