

SAC3803AQ4

GaAs MMIC 3-Way Power Divider
6~18GHz

Rev 1.1

Features

- Frequency: 6~18GHz
- Insertion Loss: 1dB
- Return Loss: 14dB
- Package Size: 4mm×4mm×1.2mm

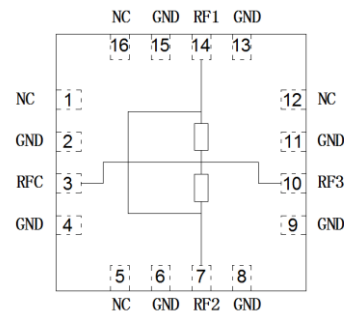
Typical Applications

- Microwave radio including point to point communication
- Telecommunication
- Weather radar
- Optical communication
- Test instrumentation
- SatCom
- VSAT
- Military and Aerospace

General Description

SAC3803AQ4 is a GaAs MMIC 3-Way 0° power divider which operates between 6~18GHz with 1.0dB of insertion loss and 14dB of return loss. The bare chip is packaged in Quad Flat No-lead Package Shell.

Functional Diagram



Electrical Performance ($T_A=25^\circ\text{C}$, $Z_0=50\Omega$)

Parameter	Symbol	Condition's	Min.	Typ.	Max.	Units
Frequency Range	f	$Z_{in}=Z_{out}=50\Omega$ $T_A=+25^\circ\text{C}$	6	—	18	GHz
Insertion Loss(RF1.RF2. RF3)	IL		—	-1	—	dB
Amplitude Unbalance	IP		—	0.4	—	dB
Return Loss (RFC.RF1. RF2. RF3.)	RL		—	-14	—	dB
Isolation: RF1—RF2	ISO		—	-25	—	dB
Isolation: RF2—RF3	ISO		—	-28	—	dB
Isolation: RF1—RF3	ISO		—	-28	—	dB

Absolute Maximum Ratings

Maximum Input Power	+20dBm	Operating Temperature	-55°C~+85°C
Channel temperature	150°C	Storage Temperature	-65°C~+150°C

SuperApex, LLC

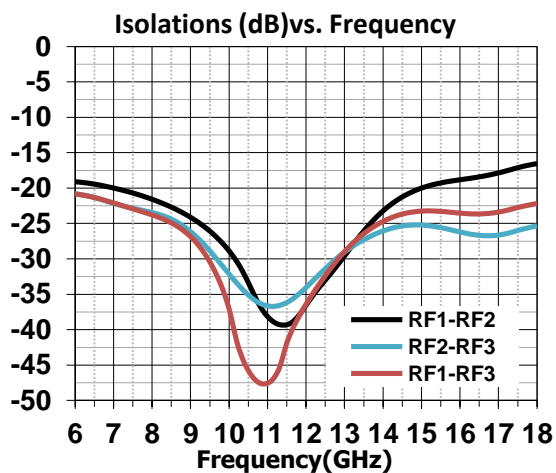
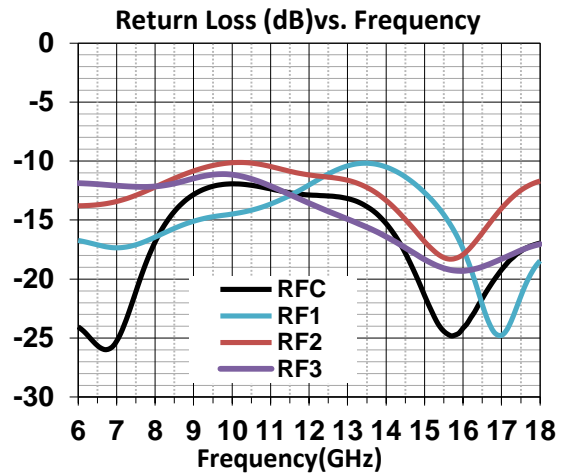
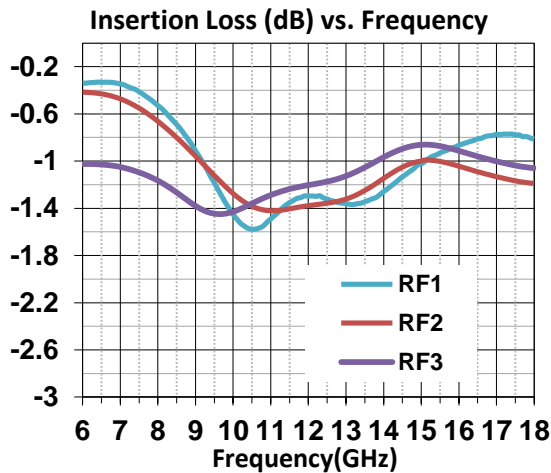
1580 S. Milwaukee Ave. Suite 405, Libertyville, IL 60048, USA
 Tel: 1-847-505-8319, 1-847-573-9866,
 E-mail: sales@superapexco.com
 Website: www.superapexco.com

SAC3803AQ4

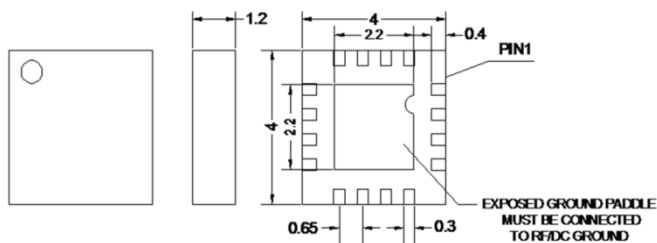
GaAs MMIC 3-Way Power Divider
6~18GHz

Rev 1.1

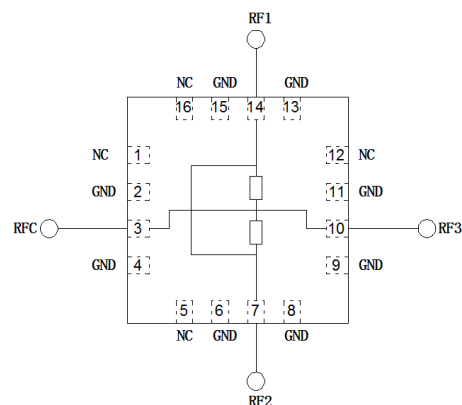
Typical Performance Curve Fixture test



Outline Drawing (All dimensions in mm)



Assembly Diagram



Attention:

1. The moisture resistant grade of products is 2A, the storage environment $\leq 30^{\circ} \text{C}/60\% \text{RH}$, The surrounding workshop Life is 4 weeks.
2. After un-packing, It is necessary to bake the parts for 6 hours in 125 ± 5 degree environment before soldering.