

# SAC3302Q6

GaAs MMIC 6-BIT DIGITAL PHASE SHIFTER  
1.2~1.6GHz

Rev 1.1

## Features

- Frequency: 1.2~1.6GHz
- RMS of Phase Accuracy: 1.4°
- Insertion Loss: -5dB
- Negative Voltage Control: 0/-5V
- Size: 6mm×6mm×1.1mm

## Typical Applications

- EW
- Military Radar and Weather Radar
- SATCOM
- Beamforming
- Phase Cancellation

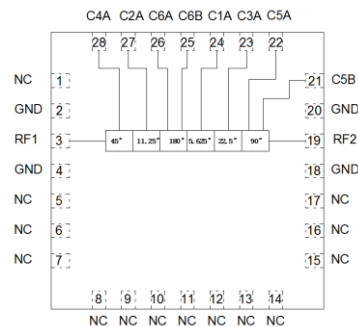
## General Description

SAC3302Q6 is a 6-bit digital phase shifter which works from 1.2 to 1.6GHz, providing 360 degrees of phase coverage with a LSB of 5.625 degrees.

SAC3302Q6 features very low RMS phase error of 1.4degrees and extremely low insertion loss variation of ±0.5 dB across all phase states. This high accuracy phase shifter is controlled with negative control logic of 0/-5V.

SAC3302Q6 is assembled in a 6mm x 6mm QFN package.

## Functional Diagram



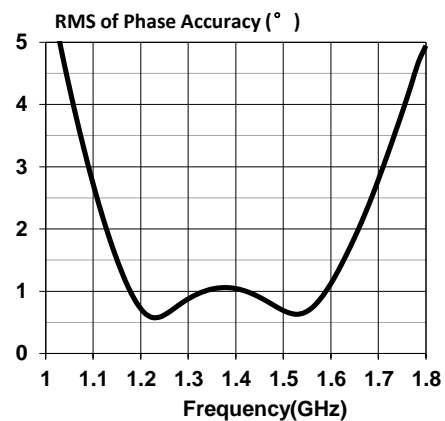
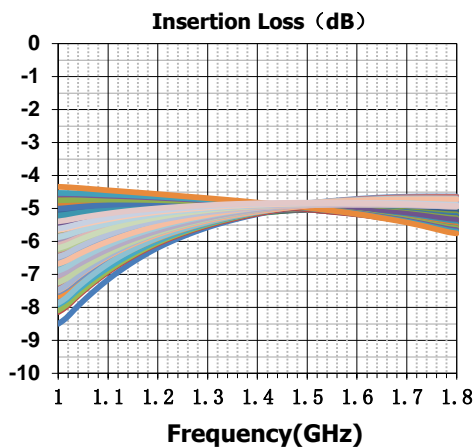
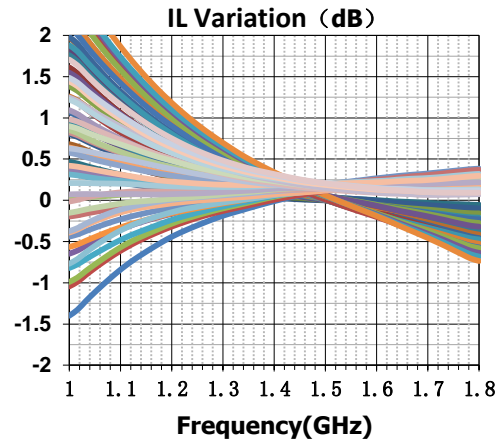
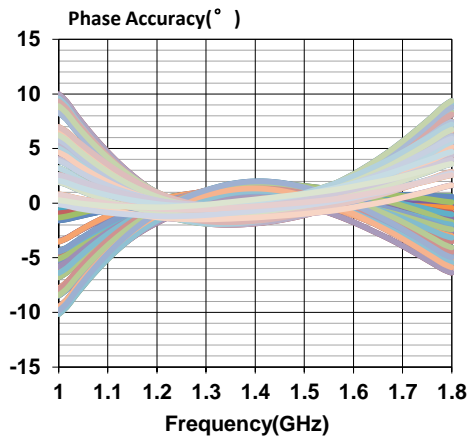
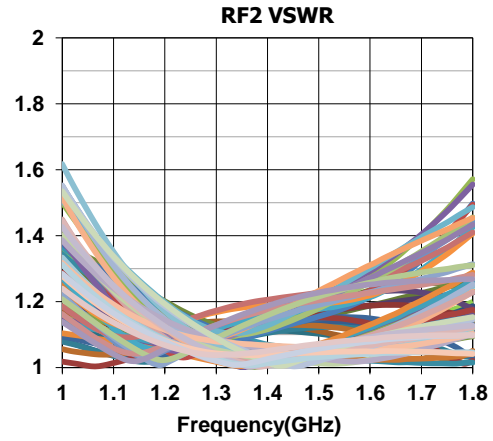
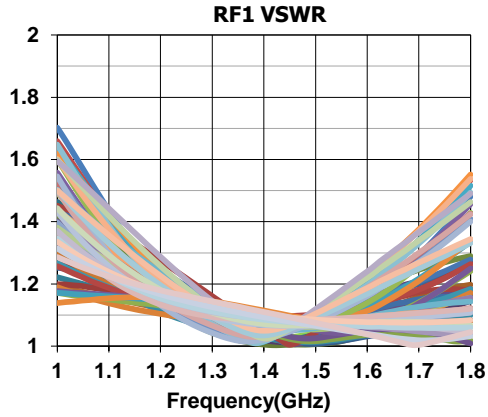
## Electrical Performance ( T<sub>A</sub>= +25°C , Control Voltage=0/-5V,Z<sub>o</sub>= -50Ω )

Parameter	Min.	Typ.	Max.	Units
Frequency	1.2~1.6			GHz
Input VSWR	—	1.3	—	:1
Output VSWR	—	1.3	—	:1
Insertion Loss	—	-5	—	dB
IL Variation	—	0.8	—	dB
Phase Accuracy	-2.2	—	3	°
RMS of Phase Accuracy	—	1.4	—	°

## Truth Table ( 0 : 0V , 1 : -5V )

Phase	C1A	C2A	C3A	C4A	C5A	C5B	C6A	C6B
REF	0	0	0	0	0	1	0	1
-5.625°	1	0	0	0	0	1	0	1
-11.25°	0	1	0	0	0	1	0	1
-22.5°	0	0	1	0	0	1	0	1
-45°	0	0	0	1	0	1	0	1
-90°	0	0	0	0	1	0	0	1
-180°	0	0	0	0	0	1	1	0
-354.375°	1	1	1	1	1	0	1	0

## Typical Performance Curve



# SAC3302Q6

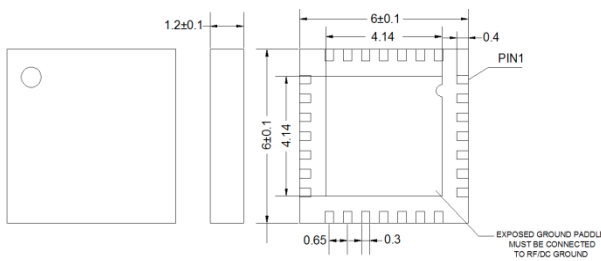
GaAs MMIC 6-BIT DIGITAL PHASE SHIFTER  
1.2~1.6GHz

Rev 1.1

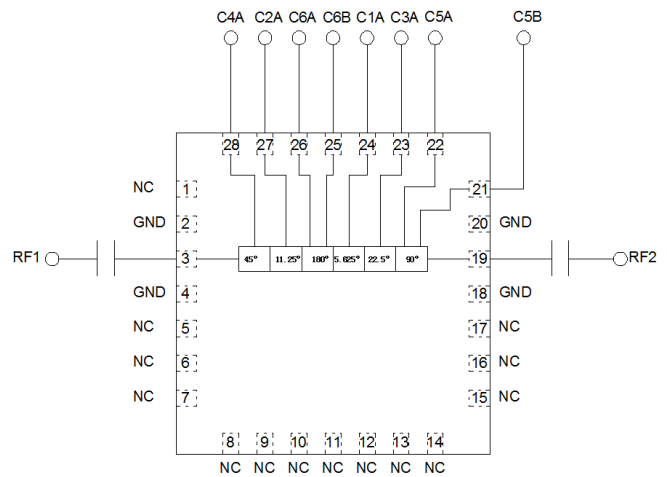
## Absolute Maximum Ratings

Maximum Input Power	+18dBm	Operating Temperature	-55°C~+85°C
Negative Voltage Control	0/-5V	Storage Temperature	-65°C~+150°C

**Outline Drawing**  
(all dimensions in mm)



**Assembly Diagram**



### Attention:

1. The moisture resistant grade of products is 2A, the storage environment  $\leq 30^{\circ}$  C/60% RH, The surrounding workshop Life is 4 weeks.
2. After un-packing, It is necessary to bake the parts for 6 hours in 125+/-5 degree environment before soldering.