

Electrical Performance ($T_A=25^{\circ}\text{C}, I_D=400\text{mA}, Z_0=50\Omega$)

Parameter	Min.	Typ.	Max.	Units
Frequency Range	2 ~ 40			GHz
Gain	25	30	-	dB
Gain Flatness	-	± 0.75	± 2	dB
Noise Figure*	-	6	8	dB
Output Power for 1 dB Compression ($OP_{-1\text{dB}}$)	9	10	-	dBm
Output IP_3	-	17	-	dBm
Input VSWR	-	1.4	1.8	:1
Output VSWR	-	1.4	1.8	:1
Supply Voltage	9	-	12	V
Supply Current	-	400	550	mA

Mechanical Specifications

Parameter	
Input/Output	K(F) Field-replaceable
Bias	Pin/Case ground
Case Material	4047 Aluminum alloy
Weight	35g

Absolute Maximum Ratings

Maximum Input Power	+10dBm	Operating Temperature	-40°C ~ +70°C
Channel Temperature	+150°C	Storage Temperature	-65°C ~ +150°C

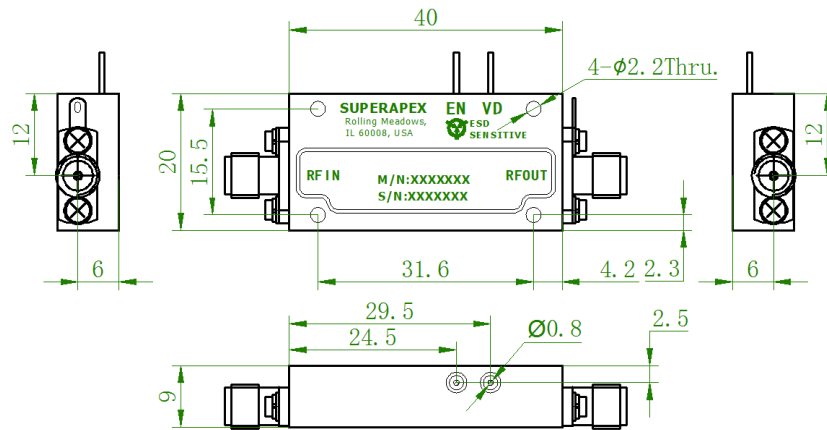
Mechanical Outline

All dimensions are in millimeters

SAC1310

Wide-band Driver Amplifier Module 2~40GHz

Rev 1.0



SuperApex Corporation

Address: 3501 Algonquin Road, Suite 230, Rolling Meadows, IL 60008, USA
 Tel: 1-847-573-9866, 1-847-505-8319
 E-mail: sales@superapexco.com
 Website: www.superapexco.com