

SAC1314

Driver Amplifier Module 18~40GHz

Rev1.0

Features

- Frequency: 18~40 GHz
- Gain: 40dB
- Noise Figure: 7.5 dB
- Gain Flatness: ± 1.5 dB
- Supply Voltage: +8V~+15V
- Supply Current: 650 mA
- Size: 30.5mm×30.5mm×12.7mm

Typical Applications

- Microwave radio
- Telecommunication
- Test instrumentation

General Description

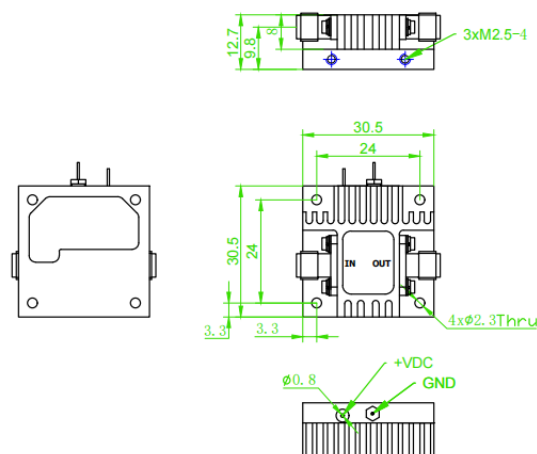
SAC1314 is a driver amplifier module with a typical small signal gain of 40 dB and OP₋₁dB of 27 dBm across the frequency range of 18 to 40 GHz.

Electrical Performance

Parameter	Min.	Typ.	Max.	Units
Frequency Range	18~40			GHz
Gain	30	—	40	dB
Input VSWR	—	—	2	:1
Output VSWR	—	—	2.2	:1
Noise Figure	—	7.5	9.0	dB
Output Power for 1 dB Compression (OP ₋₁ dB) (F<26 GHz, 26 dBm Typ.)	25	—	—	dBm
Output Power for 1 dB Compression (OP ₋₁ dB) (F≥26 GHz, 28 dBm Typ.)	27	—	—	dBm
Supply Voltage	8	—	15	V
Supply Current (I _D)	—	650	850	mA

Mechanical Outline

All dimensions are in millimeters



SuperApex Corporation

Address: 1580 S. Milwaukee Ave. Suite 405, Libertyville, IL 60048, USA
Tel: 1-847-505-8319, 1-847-573-9866
E-mail: sales@superapexco.com
Website: www.superapexco.com