

SAC1247



Slopping Amplifier Module

6 ~ 18GHz

Pre 1.3

Features

- Frequency: 6~18GHz
- Gain: 30dB@6GHz, 40dB@18GHz
- Supply Voltage: +15V@400mA

Typical Applications

- Radar and ECM
- RF/ Microwave Radio
- Military and Space
- Test and Measurement
- Fiber Optics

General Description

Slopping amplifier module typical small signal gain is 30dB@6GHz, 40 dB Gain @ 18 GHz, and a nominal OP₋₁dB of 18dBm.

Electrical Performance

Parameter		Min.	Typ.	Max.	Units
Frequency Range		6~18			GHz
Gain	6GHz	27.5	30	32.5	dB
	18GHz	37.5	40	42.5	
Linearity		—	—	±2	dB
Input VSWR		—	—	2.0	:1
Output VSWR		—	—	2.0	:1
Output Power for 1 dB Compression (OP ₋₁ dB)		18	—	—	dBm
EMI Radiation		100	—	—	dBc
Supply Current(I _D)		—	400	650	mA

SuperApex Corporation

Address: 1580 S. Milwaukee, Ave. Suite 405, Libertyville, IL 60048, USA
Tel: 1-847-573-9866, 1-847-505-8319
E-mail: sales@superapexco.com
Website: www.superapexco.com

SAC1247

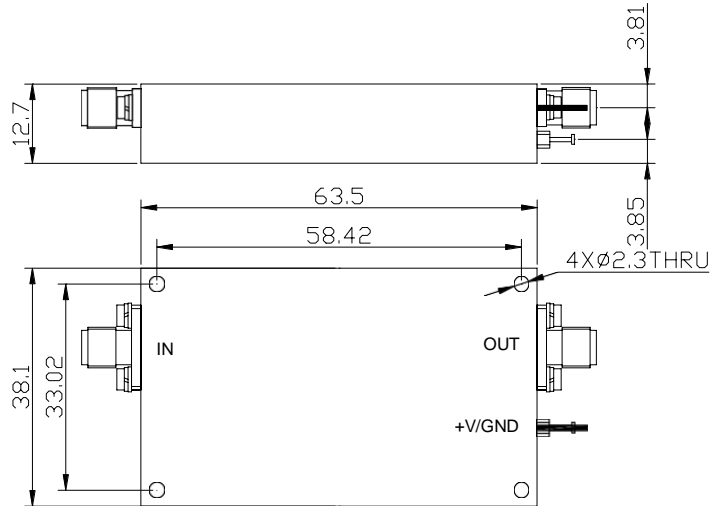
Slopping Amplifier Module

6 ~ 18GHz

Pre 1.3

Mechanical Outline

mm



SuperApex Corporation

Address: 1580 S. Milwaukee, Ave. Suite 405, Libertyville, IL 60048, USA
Tel: 1-847-573-9866, 1-847-505-8319
E-mail: sales@superapexco.com
Website: www.superapexco.com