

SAC1210

Low Noise Amplifier Module 5~6GHz

Rev1.0

Features

- Frequency: 5~6GHz
- Gain: 35dB
- Noise Figure: 1 dB Max@25°C
- Supply Voltage: +8V~+15V
- Supply Current: 150mA

Typical Applications

- Radar and ECM
- RF/ Microwave Radio
- Military and Space
- Test and Measurement
- Fiber Optics

General Description

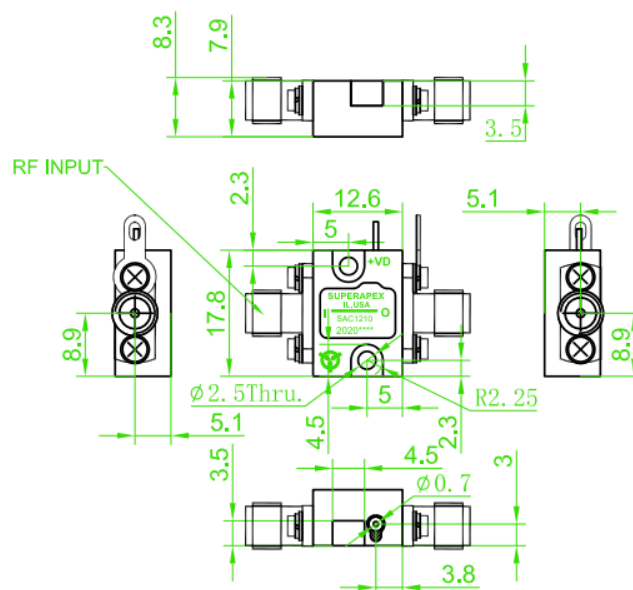
SAC1210 is a low noise amplifier manufactured using microwave hybrid integration technology. The operating frequency from 5 to 6 GHz with 28 dB of gain and 10dBm Output P_{-1dB}.

Electrical Performance

Parameter	Min.	Typ.	Max.	Units
Frequency Range	5~6			GHz
Gain	28	—	35	dB
Input VSWR	—	—	2	:1
Output VSWR	—	—	2	:1
Noise Figure	—	1	—	dB
Output Power for 1 dB Compression (OP _{-1dB})	10	—	—	dBm
Supply Voltage	8	—	15	V
Supply Current (I _b)	—	150	—	mA

Mechanical Outline

All dimensions are in millimeters



SuperApex Corporation

Address: 1580 S. Milwaukee Ave. Suite 405, Libertyville, IL 60048, USA
Tel: 1-847-505-8319, 1-847-573-9866
E-mail: sales@superapexco.com
Website: www.superapexco.com