

SAC1216A

Low Noise Amplifier Module 9~10GHz

Rev1.0

Features

- Frequency: 9~10 GHz
- Gain: 13dB
- Noise Figure: 2dB Typ.
- Supply Voltage: +8V~+15V
- Supply Current: 200mA

Typical Applications

- Radar and ECM
- RF/ Microwave Radio
- Military and Space
- Test and Measurement
- Fiber Optics

General Description

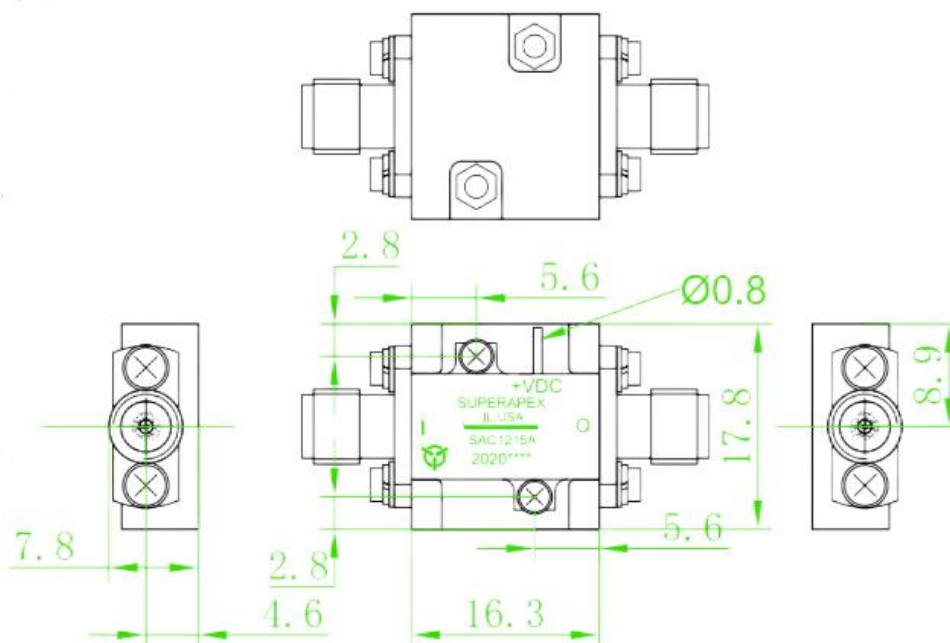
SAC1216A is a low noise amplifier manufactured using microwave hybrid integration technology. The operating frequency from 9 to 10 GHz with 13 dB of gain and 11dBm Output P_{-1dB}.

Electrical Performance

| Parameter | Min. | Typ. | Max. | Units |
|---|------|------|------|-------|
| Frequency Range | 9~10 | | | GHz |
| Gain | 9 | — | 13 | dB |
| Input VSWR | — | — | 2 | :1 |
| Output VSWR | — | — | 2 | :1 |
| Noise Figure | — | 2 | 3 | dB |
| Output Power for 1 dB Compression (OP _{-1dB}) | 10 | 11 | — | dBm |
| Supply Voltage | 8 | — | 15 | V |
| Supply Current (I _b) | — | 200 | — | mA |

Mechanical Outline

All dimensions are in millimeters



SuperApex Corporation

Address: 1580 S. Milwaukee Ave. Suite 405, Libertyville, IL 60048, USA
Tel: 1-847-505-8319, 1-847-573-9866
E-mail: sales@superapexco.com
Website: www.superapexco.com