

# SAC1234

## Wide-Band Low Noise Amplifier Module 4~18GHz

Rev1.0

### Features

- Frequency: 4~18 GHz
- Gain: 35dB
- Noise Figure: 2.5dB Max
- Supply Voltage: +12V~+15V
- Supply Current: 150mA

### Typical Applications

- Radar and ECM
- RF/ Microwave Radio
- Military and Space
- Test and Measurement
- Fiber Optics

### General Description

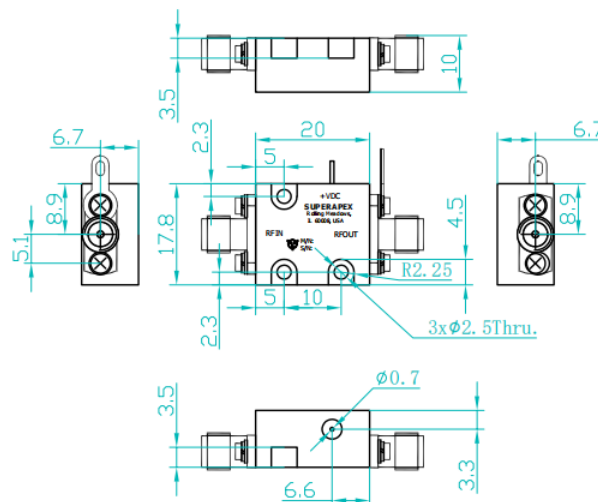
SAC1234 is a wide-band low noise amplifier manufactured using microwave hybrid integration technology. The operating frequency from 4 to 18 GHz with 35 dB of gain and 10dBm Output P<sub>-1dB</sub>.

### Electrical Performance

Parameter	Min.	Typ.	Max.	Units
Frequency Range	4~18			GHz
Gain	30	—	35	dB
Input VSWR	—	—	2	:1
Output VSWR	—	—	2	:1
Noise Figure	—	—	2.5	dB
Output Power for 1 dB Compression (OP <sub>-1dB</sub> )	10	—	—	dBm
Supply Voltage	12	—	15	V
Supply Current (I <sub>b</sub> )	—	150	—	mA

### Mechanical Outline

All dimensions are in millimeters



all dimensions in mm

### SuperApex Corporation

Address: 1580 S. Milwaukee Ave. Suite 405, Libertyville, IL 60048, USA  
Tel: 1-847-505-8319, 1-847-573-9866  
E-mail: sales@superapexco.com  
Website: www.superapexco.com