

SAC1241

Low Noise Amplifier Module 0.1~6GHz

Rev1.0

Features

- Frequency: 0.1~6 GHz
- Gain: 16dB
- Noise Figure: 2.5dB Typ
- Supply Voltage: +12V
- Supply Current: 300mA

Typical Applications

- Radar and ECM
- RF/ Microwave Radio
- Military and Space
- Test and Measurement
- Fiber Optics

General Description

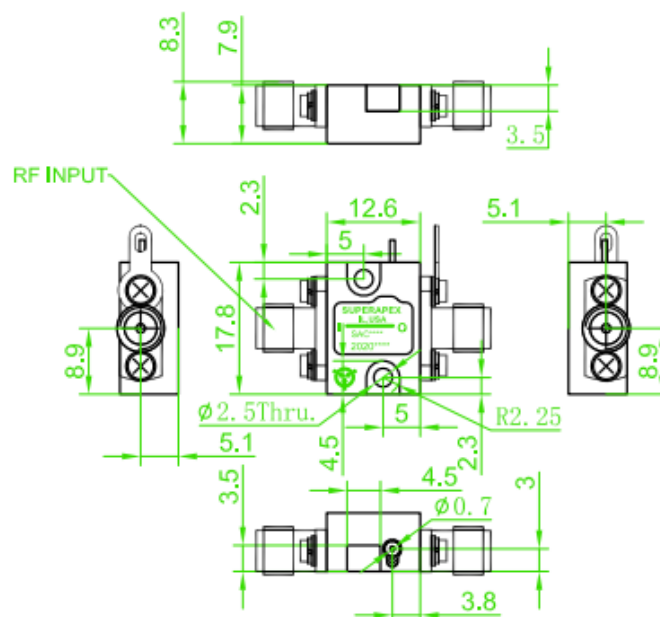
SAC1241 is a low noise amplifier manufactured using microwave hybrid integration technology. The operating frequency from 0.1 to 6 GHz with 16 dB of gain and 15dBm Output P_{1dB}.

Electrical Performance

Parameter	Min.	Typ.	Max.	Units
Frequency Range	0.1~6			GHz
Gain	12	—	16	dB
Input VSWR	—	1.5	2	:1
Output VSWR	—	1.5	2	:1
Noise Figure	—	2.5	3.5	dB
Output Power for 1 dB Compression (OP _{1dB})	14	15	—	dBm
Supply Voltage	—	12	—	V
Supply Current (I _D)	—	300	—	mA

Mechanical Outline

All dimensions are in millimeters



SuperApex Corporation

Address: 1580 S. Milwaukee Ave. Suite 405, Libertyville, IL 60048, USA
Tel: 1-847-505-8319, 1-847-573-9866
E-mail: sales@superapexco.com
Website: www.superapexco.com