

# SAC1252

## Low Noise Amplifier Module 5.4~5.9GHz

Rev1.0

### Features

- Frequency: 5.4~5.9 GHz
- Gain: 30dB
- Noise Figure: 0.8dB Typ
- Gain Flatness:  $\pm 0.3$ dB
- Supply Voltage: +5V~+8V
- Supply Current: 75mA

### Typical Applications

- Radar and ECM
- RF/ Microwave Radio
- Military and Space
- Test and Measurement
- Fiber Optics

### General Description

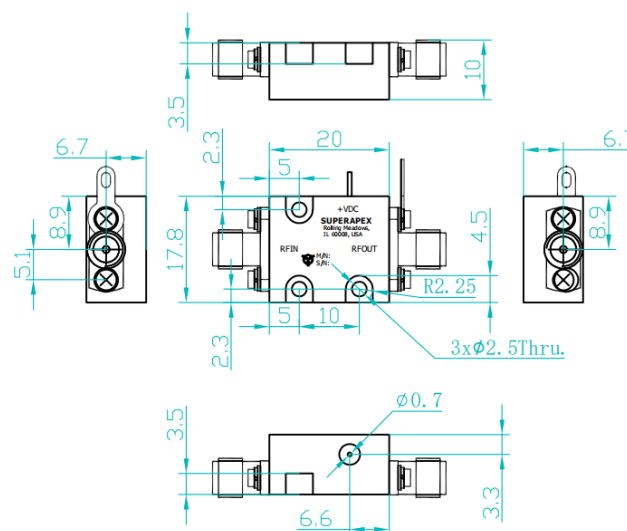
SAC1252 is a low noise amplifier manufactured using microwave hybrid integration technology. The operating frequency from 5.4 to 5.9 GHz with 30 dB of gain and 10dBm Output P<sub>-1dB</sub>.

### Electrical Performance

| Parameter   | Min.    | Typ. | Max. | Units |
|---|---------|------|------|-------|
| Frequency Range   | 5.4~5.9 |      |      | GHz   |
| Gain  | 28      | —    | 30   | dB    |
| Input VSWR  | —       | 1.5  | 1.6  | :1    |
| Output VSWR   | —       | 1.3  | 1.5  | :1    |
| Noise Figure  | —       | 0.8  | 0.95 | dB    |
| Output Power for 1 dB Compression (OP <sub>-1dB</sub> ) | 10      | —    | —    | dBm   |
| Supply Voltage  | 5       | —    | 8    | V     |
| Supply Current (I <sub>b</sub> )                        | —       | —    | 75   | mA    |

### Mechanical Outline

All dimensions are in millimeters



all dimensions in mm

### SuperApex Corporation

Address: 1580 S. Milwaukee Ave. Suite 405, Libertyville, IL 60048, USA  
Tel: 1-847-505-8319, 1-847-573-9866  
E-mail: sales@superapexco.com  
Website: www.superapexco.com