

Features

- Frequency: 18~40 GHz
- Gain: 35dB
- Noise Figure: 4.0dB Typ
- Gain Flatness: ± 2.0 dB
- Supply Voltage: +12V~+15V
- Supply Current: 0.21A

Typical Applications

- Radar and ECM
- RF/ Microwave Radio
- Military and Space
- Test and Measurement
- Fiber Optics

General Description

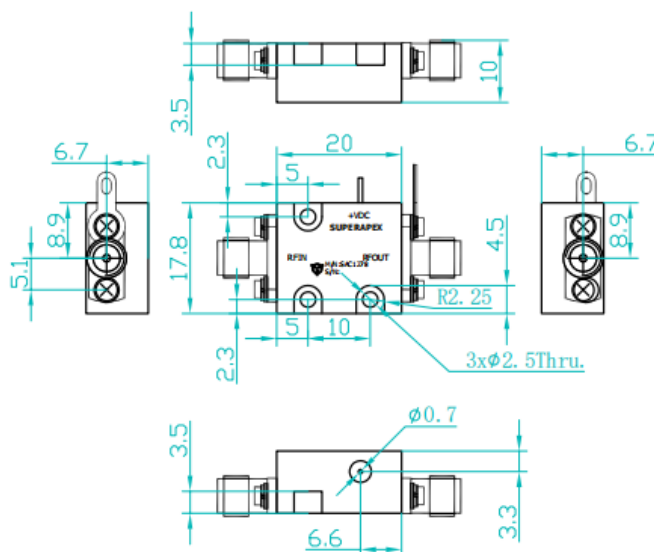
SAC1278 is a low noise amplifier manufactured using microwave hybrid integration technology. The operating frequency from 18 to 40 GHz with 35 dB of gain and 10dBm Output P_{1dB}.

Electrical Performance

Parameter	Min.	Typ.	Max.	Units
Frequency Range	18~40			GHz
Gain	29	—	35	dB
Input VSWR	—	2.0	—	:1
Output VSWR	—	2.0	—	:1
Noise Figure	—	—	4.0	dB
Output Power for 1 dB Compression (OP _{1dB})	10	—	—	dBm
Supply Voltage	12	—	15	V
Supply Current (I _b)	—	—	0.21	A

Mechanical Outline

All dimensions are in millimeters



all dimensions in mm