

SAC1290

Wide-Band Low Noise Amplifier Module 0.02~2GHz

Rev1.0

Features

- Frequency: 0.02~2 GHz
- Gain: 30dB
- Noise Figure: 2.0dB Max
- Supply Voltage: +8V~+15V
- Supply Current: 180mA

Typical Applications

- Radar and ECM
- RF/ Microwave Radio
- Military and Space
- Test and Measurement
- Fiber Optics

General Description

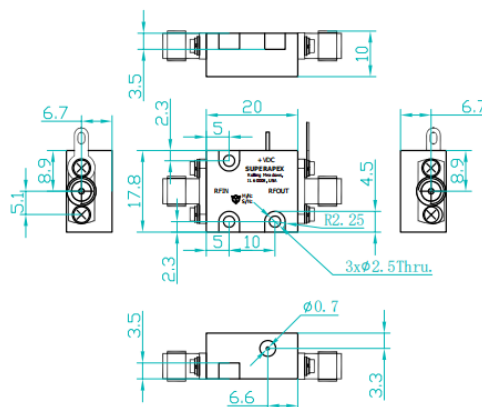
SAC1290 is a Wide-Band low noise amplifier manufactured using microwave hybrid integration technology. The operating frequency from 0.02 to 2 GHz with 30 dB of gain and 15dBm Output P_{-1dB}.

Electrical Performance

Parameter	Min.	Typ.	Max.	Units
Frequency Range	0.02~2			GHz
Gain	—	30	—	dB
Gain Flatness	—	±2	—	dB
Input VSWR	—	2.0	—	:1
Output VSWR	—	2.0	—	:1
Noise Figure	—	—	2.0	dB
Output Power for 1 dB Compression (OP _{-1dB})	15	—	—	dBm
Supply Voltage	8	—	15	V
Supply Current (I _b)	—	—	180	mA

Mechanical Outline

All dimensions are in millimeters



all dimensions in mm

SuperApex Corporation

Address: 1580 S. Milwaukee Ave. Suite 405, Libertyville, IL 60048, USA
Tel: 1-847-505-8319, 1-847-573-9866
E-mail: sales@superapexco.com
Website: www.superapexco.com