

SAC1291

Low Noise Amplifier Module 8.9~9.5GHz

Rev1.0

Features

- Frequency: 8.9~9.5GHz
- Gain: 22dB
- Noise Figure: 1dB
- Supply Voltage: +8V~+12V
- Supply Current: 100mA

Typical Applications

- Radar and ECM
- RF/ Microwave Radio
- Military and Space
- Test and Measurement
- Fiber Optics

General Description

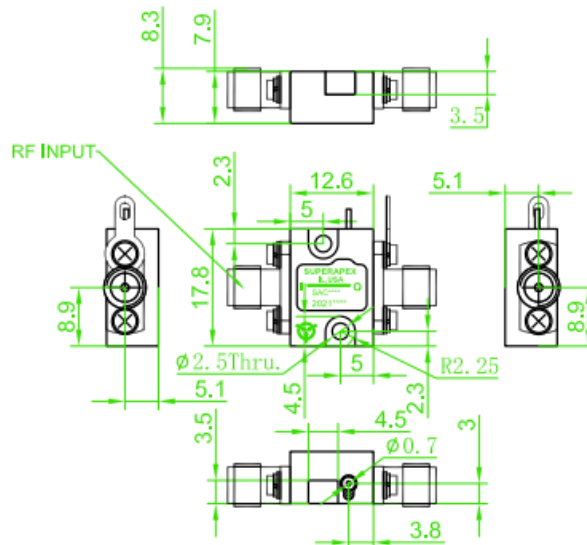
SAC1291 is a low noise amplifier manufactured using microwave hybrid integration technology. The operating frequency from 8.9 to 9.5 GHz with 26 dB of gain and 12dBm Output P_{1dB}.

Electrical Performance

Parameter	Min.	Typ.	Max.	Units
Frequency Range	8.9~9.5			GHz
Gain	22	—	26	dB
Gain Flatness		±0.75	—	dB
Input VSWR	—	1.5	2	:1
Output VSWR	—	1.5	2	:1
Noise Figure	—	1.0	1.2	dB
Output Power for 1 dB Compression (OP _{1dB})	10	12	—	dBm
Supply Voltage	8	—	12	V
Supply Current (I _b)	—	100	—	mA

Mechanical Outline

All dimensions are in millimeters



SuperApex Corporation

Address: 1580 S. Milwaukee Ave. Suite 405, Libertyville, IL 60048, USA
Tel: 1-847-505-8319, 1-847-573-9866
E-mail: sales@superapexco.com
Website: www.superapexco.com