

SAC1308

Low Noise Amplifier Module 0.01~0.6GHz

Rev1.0

Features

- Frequency: 0.01~0.6 GHz
- Gain: 31.5dB
- Noise Figure: 0.5dB
- Supply Voltage: +12V~+15V
- Supply Current: 130mA

Typical Applications

- Radar and ECM
- RF/ Microwave Radio
- Military and Space
- Test and Measurement
- Fiber Optics

General Description

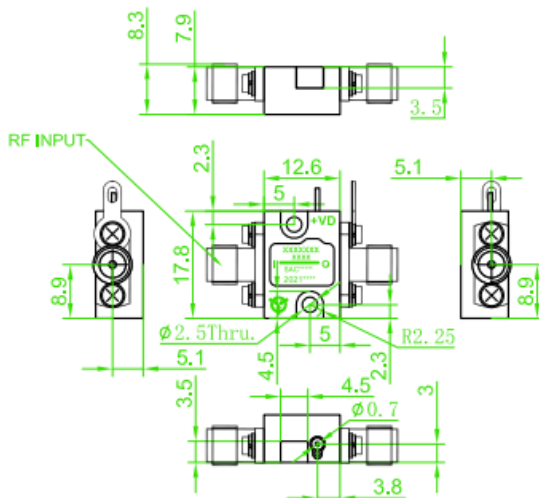
SAC1308 is a low noise amplifier manufactured using microwave hybrid integration technology. The operating frequency from 0.01 to 0.6 GHz with 31.5 dB of gain and 19 dBm Output P_{1dB}.

Electrical Performance

Parameter	Min.	Typ.	Max.	Units
Frequency Range	0.01~0.6			GHz
Gain	25	—	31.5	dB
Gain Flatness		±1.0	—	dB
Input VSWR	—	1.5	2.0	:1
Output VSWR	—	1.5	2.0	:1
Noise Figure	—	0.5	2.8	dB
Output Power for 1 dB Compression (OP _{1dB})	19	—	—	dBm
Supply Voltage	12	—	15	V
Supply Current (I _b)	—	—	130	mA

Mechanical Outline

All dimensions are in millimeters



Application Circuit

