

# SAC1318

## Low Noise Amplifier Module 0.9~1.2GHz

Rev1.0

### Features

- Frequency: 0.9~1.2 GHz
- Gain: 33.5dB
- Noise Figure: 0.5dB
- Supply Voltage: +8V~+15V
- Supply Current: 80mA

### Typical Applications

- Radar and ECM
- RF/ Microwave Radio
- Military and Space
- Test and Measurement
- Fiber Optics

### General Description

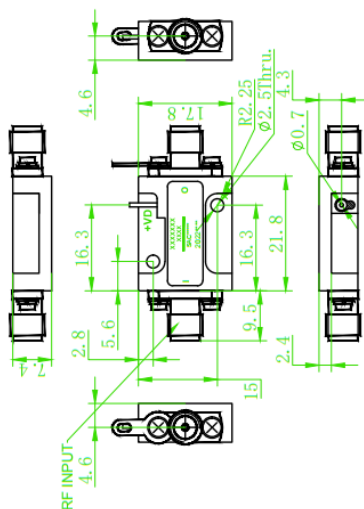
SAC1318 is a low noise amplifier manufactured using microwave hybrid integration technology. The operating frequency from 0.9 to 1.2 GHz with 33.5 dB of gain and 10 dBm Output P<sub>-1dB</sub>.

### Electrical Performance

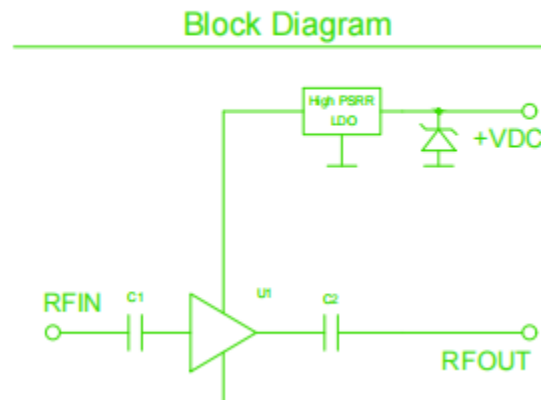
Parameter	Min.	Typ.	Max.	Units
Frequency Range	0.9~1.2			GHz
Gain	28	—	33.5	dB
Gain Flatness	—	±0.5	±1.0	dB
Input VSWR	—	1.5	2.0	:1
Output VSWR	—	1.5	2.0	:1
Noise Figure	—	0.5	0.65	dB
Output Power for 1 dB Compression (OP <sub>-1dB</sub> )	10	—	—	dBm
Supply Voltage	8	—	15	V
Supply Current (I <sub>b</sub> )	—	80	—	mA

### Mechanical Outline

All dimensions are in millimeters



### Assembly Diagram



### SuperApex Corporation

Address: 1580 S. Milwaukee Ave. Suite 405, Libertyville, IL 60048, USA  
 Tel: 1-847-505-8319, 1-847-573-9866  
 E-mail: sales@superapexco.com  
 Website: www.superapexco.com