

SAC1323

Low Noise Amplifier Module 0.05~0.15GHz

Rev1.0

Features

- Frequency: 0.05~0.15 GHz
- Gain: 30dB
- Noise Figure: 0.5dB
- Supply Voltage: +12V~+15V
- Supply Current: 170mA

Typical Applications

- Radar and ECM
- RF/ Microwave Radio
- Military and Space
- Test and Measurement
- Fiber Optics

General Description

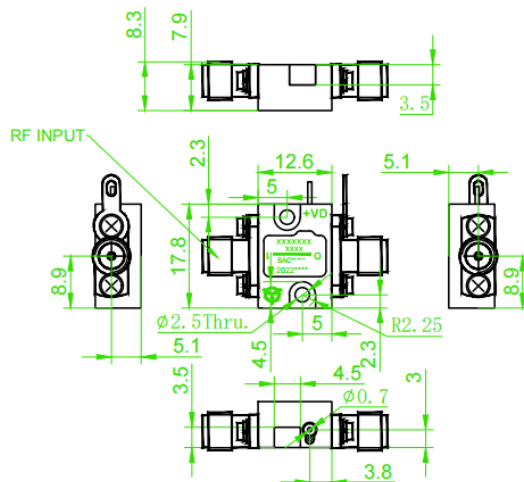
SAC1323 is a low noise amplifier manufactured using microwave hybrid integration technology. The operating frequency from 0.05 to 0.15 GHz with 30 dB of gain and 22 dBm Output P_{-1dB}.

Electrical Performance

Parameter	Min.	Typ.	Max.	Units
Frequency Range	0.05~0.15			GHz
Gain	24	—	30	dB
Gain Flatness	—	±0.5	—	dB
Input VSWR	—	1.5	2.0	:1
Output VSWR	—	1.5	2.0	:1
Noise Figure	—	0.5	0.75	dB
Output Power for 1 dB Compression (OP _{-1dB})	20	22	—	dBm
Supply Voltage	12	—	15	V
Supply Current (I _b)	—	—	170	mA

Mechanical Outline

All dimensions are in millimeters



Assembly Diagram

