

SAC1326

Low Noise Amplifier Module 6~18GHz

Rev1.0

Features

- Frequency: 6~18 GHz
- Gain: 50dB
- Noise Figure: 2.0dB Typ
- Supply Voltage: +12V~+15V
- Supply Current: 950mA

Typical Applications

- Radar and ECM
- RF/ Microwave Radio
- Military and Space
- Test and Measurement
- Fiber Optics

General Description

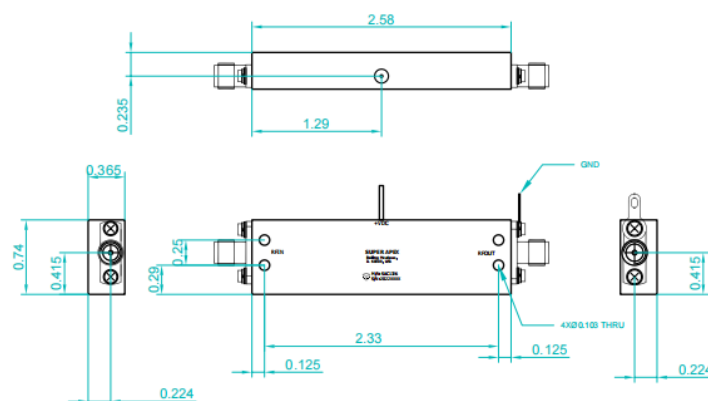
SAC1326 is a low noise amplifier manufactured using microwave hybrid integration technology. The operating frequency from 6 to 18 GHz with 50 dB of gain and 19 dBm Output P_{-1dB}.

Electrical Performance

Parameter	Min.	Typ.	Max.	Units
Frequency Range	6~18			GHz
Gain	45	—	50	dB
Gain Flatness	—	±3.0	—	dB
Input VSWR	—	1.8	2	:1
Output VSWR	—	1.8	2	:1
Noise Figure	—	2.0	3.5	dB
Output Power for 1 dB Compression (OP _{-1dB})	19	—	—	dBm
Supply Voltage	12	—	15	V
Supply Current (I _b)	—	—	950	mA

Mechanical Outline

All dimensions are in millimeters



all dimensions in
inch

SuperApex Corporation

Address: 1580 S. Milwaukee Ave. Suite 405, Libertyville, IL 60048, USA
Tel: 1-847-505-8319, 1-847-573-9866
E-mail: sales@superapexco.com
Website: www.superapexco.com