

SAC1339

Low Noise Amplifier Module 0.1~3GHz

Rev1.0

Features

- Frequency: 0.1~3 GHz
- Gain: 30dB
- Noise Figure: 1.2 dB Typ
- Supply Voltage: 8V~15V
- Supply Current: 120 mA

Typical Applications

- Radar and ECM
- RF/ Microwave Radio
- Military and Space
- Test and Measurement
- Fiber Optics

General Description

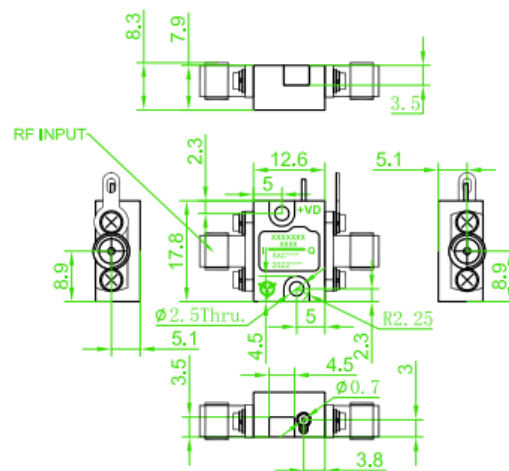
SAC1339 is a Low Noise amplifier manufactured using microwave hybrid integration technology. The operating frequency from 0.1 to 3 GHz with 30 dB of gain and 18 dBm Output P_{-1dB}.

Electrical Performance

Parameter	Min.	Typ.	Max.	Units
Frequency Range	0.1~3			GHz
Gain	20	—	30	dB
Gain Flatness	—	—	±1.0	dB
Input VSWR	—	1.5	2.0	:1
Output VSWR	—	1.5	2.0	:1
Noise Figure	—	1.2	1.7	dB
Output Power for 1 dB Compression (OP _{-1dB})	17	18	—	dBm
Supply Voltage	8	—	15	V
Supply Current (I _b)	—	—	120	mA

Mechanical Outline

All dimensions are in millimeters



SuperApex Corporation

Address: 1580 S. Milwaukee Ave. Suite 405, Libertyville, IL 60048, USA
Tel: 1-847-505-8319, 1-847-573-9866
E-mail: sales@superapexco.com
Website: www.superapexco.com