

# SAC3312AQ6



GaAs MMIC 6-BIT DIGITAL PHASE SHIFTER  
2.0~3.2GHz

Rev 1.0

## Features

- Frequency: 2.0~3.2GHz
- RMS of Phase Accuracy: 3.5°
- Low Insertion Loss: 8dB
- Positive Voltage Control
- Size: 6mm×6mm×1.2mm

## General Description

SAC3312AQ6 is a 6-bit digital phase shifter which works from 2 to 3.2GHz, providing 360 degrees of phase coverage with a LSB of 5.625 degrees.

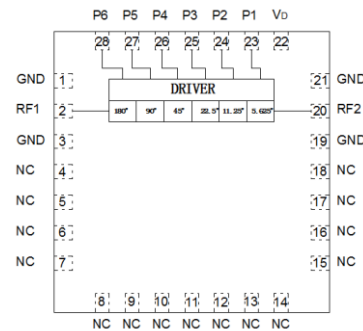
SAC3312AQ6 features very low RMS phase error of 3.5 degrees and extremely low insertion loss variation of ±0.5dB across all phase states. This high accuracy phase shifter is controlled with positive control voltage of 0/+5V.

The device is assembled in a 6mm x 6mm QFN plastic package.

## Typical Applications

- EW
- Military Radar and Weather Radar
- SATCOM
- Beamforming Modules
- Phase Cancellation

## Functional Diagram



## Electrical Performance (T<sub>A</sub>=+25°C, V<sub>D</sub>=-5V, Control Voltage=0/5V, Z<sub>0</sub>=50Ω)

Parameter	Min.	Typ.	Max.	Units
Frequency	2~3.2			GHz
RF1 Return Loss		-28		dB
RF2 Return Loss		-25		dB
Insertion Loss		-8		dB
IL Variation		±0.5		dB
Phase Accuracy		±8		°
RMS of Phase Accuracy		3.5		°
Amplitude Settling Time (50% cntl to +/- 0.1dB margin of final RFout)	—	100	—	ns
Phase Settling Time (50% cntl to +/-1 degree margin of final RFout)	—	100	—	ns

## Truth Table (0: 0V, 1: +5V)

Phase	P1	P2	P3	P4	P5	P6
REF	0	0	0	0	0	0
-5.625°	1	0	0	0	0	0
-11.25°	0	1	0	0	0	0
-22.5°	0	0	1	0	0	0
-45°	0	0	0	1	0	0
-90°	0	0	0	0	1	0
-180°	0	0	0	0	0	1
-354.375°	1	1	1	1	1	1

## SuperApex, LLC

1580 S. Milwaukee Ave. Suite 405, Libertyville, IL 60048, USA  
Tel: 1-847-505-8319, 1-847-573-9866  
E-mail: sales@superapexco.com  
Website: www.superapexco.com

# SAC3312AQ6



GaAs MMIC 6-BIT DIGITAL PHASE SHIFTER  
2.0~3.2GHz

Rev 1.0

## Absolute Maximum Ratings

Maximum Input Power	+18dBm	Operating Temperature	-55°C~+85°C
Maximum Input Voltage	-8V	Storage Temperature	-65°C~+150°C

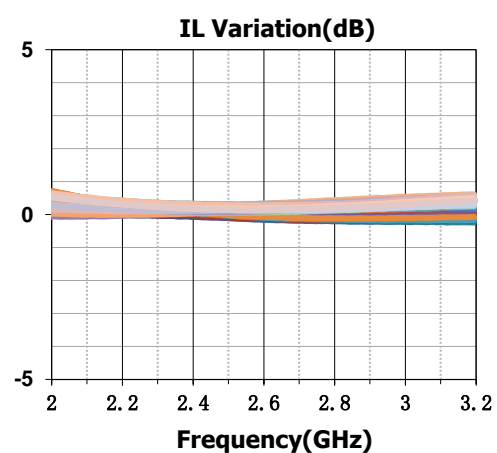
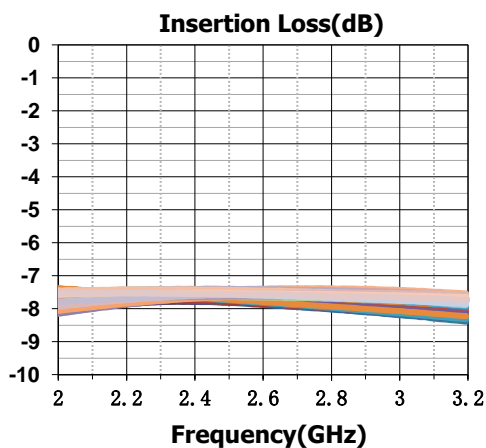
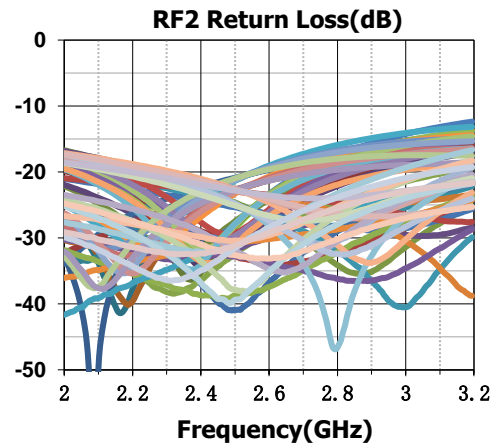
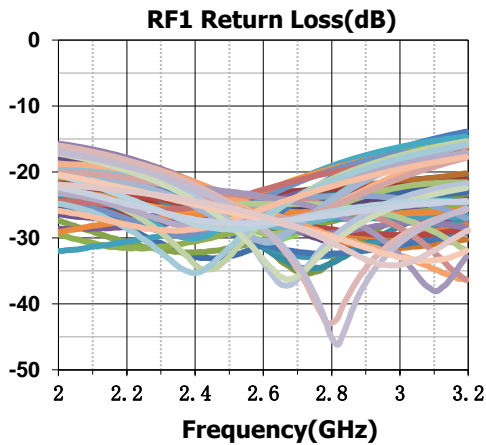
### Control Voltage

State	Bias
Low	0~0.2V
High	3.3~5.5V

### Power Supply

V <sub>D</sub>	I <sub>D</sub>
-5V	8mA

## Typical Performance Curve



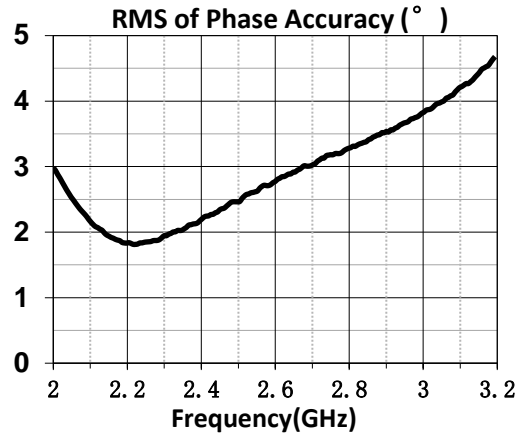
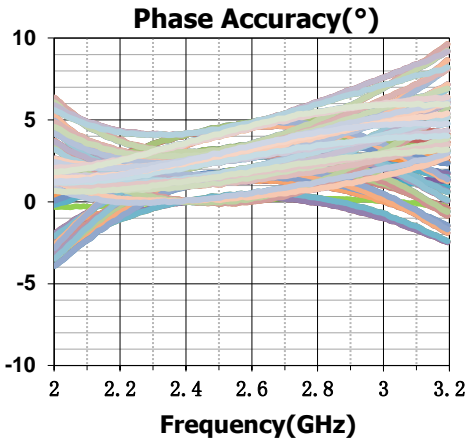
### SuperApex, LLC

1580 S. Milwaukee Ave. Suite 405, Libertyville, IL 60048, USA  
Tel: 1-847-505-8319, 1-847-573-9866  
E-mail: sales@superapexco.com  
Website: www.superapexco.com

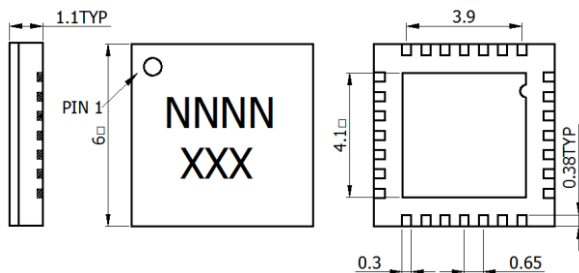
# SAC3312AQ6

GaAs MMIC 6-BIT DIGITAL PHASE SHIFTER  
2.0~3.2GHz

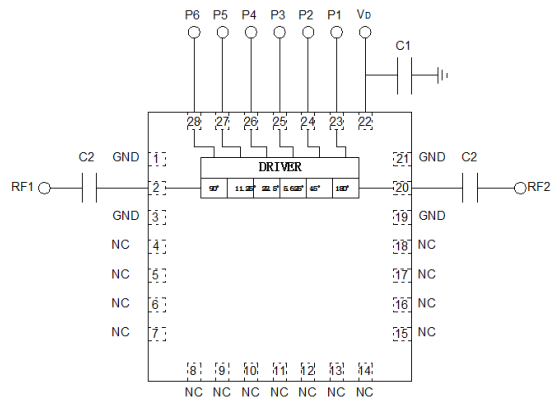
Rev 1.0



### Outline Drawing (All dimensions in mm)



### Application Circuit



### Components List

Reference Des.	Value	Part Number	Manuf.	Size
C1	10nF	GCM155R71H103KA55D	Murata	0402
C2	51pF	GCM1555C1H510FA16D	Murata	0402

### Attention:

1. The moisture resistant grade of products is 2A, the storage environment  $\leq 30^{\circ} \text{C}/60\% \text{RH}$ , the surrounding workshop Life is 4 weeks.
2. After un-packing, it is necessary to bake the parts for 6 hours in  $125 \pm 5$  degree environment before soldering.